

## ComSeal frame, integrated compression unit, aluminum

Alumiiniset ComSeal-kehukset, integroitu puristinyksikkö ▶ Рамы ComSeal, интегрированный компрессионный блок, алюминиевые ▶ ComSeal, integrerad kompression, aluminium ▶ Telai ComSeal, unità di compressione integrata, alluminio



ComSeal 10



ComSeal 16



ComSeal 32

For installation instructions, please see chapter Frame Installation Manual.

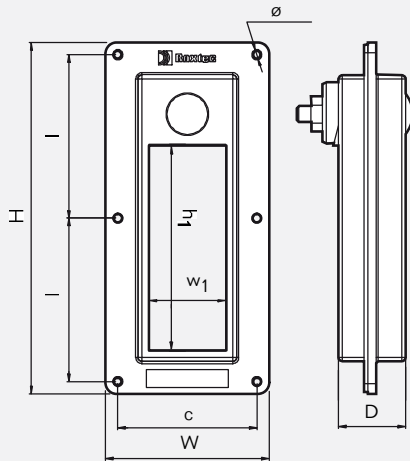
RATINGS	IP: 55
---------	--------

	FI Kitti	Halkaisijavälit ja kaapelien / putkien lukumäärä	Ulkomitat		Paino	
			HxWxD (mm)	HxWxD (in)	(kg)	(lb)
	RU Комплект	Диапазон диаметров и количество кабелей/труб	Внешние размеры		Вес	
	SE Kit	Diametermått och antal kablar/rör	Yttermått		Vikt	
	IT Kit	Diametri e numero di cavi/tubi	Dimensioni esterne		Peso	
	GB Kit	Diameter range and number of cables/pipes	External dimensions		Weight	
			HxWxD (mm)	HxWxD (in)	(kg)	(lb)
		0+3.5-16.5 0+0.138-0.650 (CM 20W40)	0+9.5-32.5 0+0.374-1.280 (CM 40 10-32)			
	<b>ComSeal 10/4</b>	2 cables/pipes	2 cables/pipes	173 x 80.5 x 33	6.811 x 3.169 x 1.299	0.515   1.13
	<b>ComSeal 10/7</b>	6 cables/pipes	1 cable/pipe	173 x 80.5 x 33	6.811 x 3.169 x 1.299	0.515   1.13
	<b>ComSeal 10/10</b>	10 cables/pipes		173 x 80.5 x 33	6.811 x 3.169 x 1.299	0.515   1.13
	<b>ComSeal 16/4</b>		4 cables/pipes	233 x 80.5 x 33	9.173 x 3.169 x 1.299	0.666   1.47
	<b>ComSeal 16/7</b>	4 cables/pipes	3 cables/pipes	233 x 80.5 x 33	9.173 x 3.169 x 1.299	0.666   1.47
	<b>ComSeal 16/10</b>	8 cables/pipes	2 cables/pipes	233 x 80.5 x 33	9.173 x 3.169 x 1.299	0.666   1.47
	<b>ComSeal 16/16</b>	16 cables/pipes		233 x 80.5 x 33	9.173 x 3.169 x 1.299	0.666   1.47
	<b>ComSeal 32/8</b>		8 cables/pipes	241 x 135 x 33	9.488 x 5.315 x 1.299	1.259   2.78
	<b>ComSeal 32/14</b>	8 cables/pipes	6 cables/pipes	241 x 135 x 33	9.488 x 5.315 x 1.299	1.259   2.78
	<b>ComSeal 32/20</b>	16 cables/pipes	4 cables/pipes	241 x 135 x 33	9.488 x 5.315 x 1.299	1.259   2.78
	<b>ComSeal 32/32</b>	32 cables/pipes		241 x 135 x 33	9.488 x 5.315 x 1.299	1.259   2.78

## ComSeal frame, technical information

ComSeal-kehysten tekniset tiedot ▶ Рамы ComSeal, техническая информация ▶ ComSeal, teknisk information ▶  
Telai ComSeal, informazioni tecniche

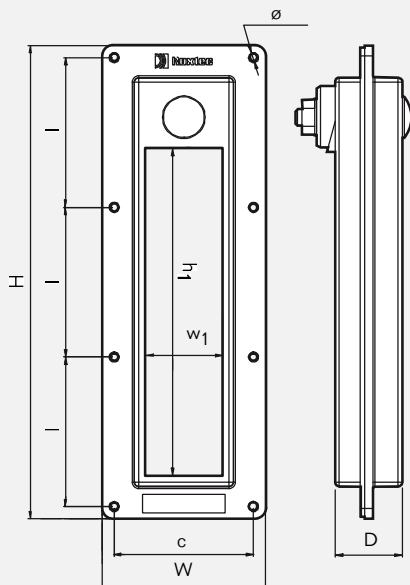
ComSeal 10



Pos	ComSeal 10		ComSeal 16		ComSeal 32	
	(mm)	(in)	(mm)	(in)	(mm)	(in)
c	68.5	2.697	68.5	2.697	61.5	2.421
D	33	1.299	33	1.299	33	1.299
H	173	6.811	233	9.173	241	9.488
h <sub>1</sub>	100	3.937	160	6.299	160	6.299
l	80.5	3.169	73.7	2.902	76.33	3.005
w <sub>1</sub>	40	1.575	40	1.575	40	1.575
W	80.5	3.169	80.5	3.169	135	5.315
$\emptyset$	5	0.197	5	0.197	5	0.197

Note: All dimensions are nominal values  
Huomaa: Kaikki mitat ovat nimellisarvoja  
Внимание: Все размеры номинальные  
Obs: Angivna mått är nominella.  
Nota: tutte le dimensioni sono valori nominali

ComSeal 16



ComSeal 32

